

# LUXPRO® PSM200SA-PSM400SA



*PSM200SA - HEATING ONLY*



*PSM400SA - HEATING AND COOLING*

## **PSM200SA-PSM400SA MECHANICAL THERMOSTATS**

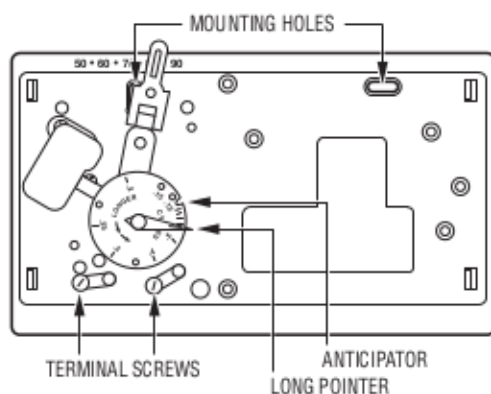
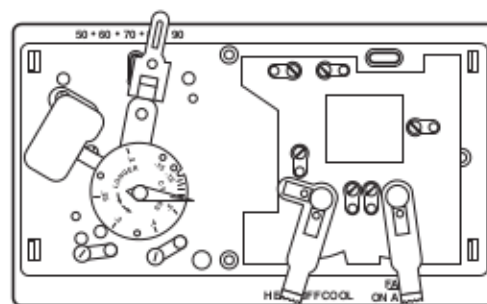
### **COMPATIBLE WITH:**

- Most 24V Gas, Oil, Electric Heating and Air Conditioning Systems (PSM400 Heating and Cooling PSM200 Heating Only)
- 2 Wire Hydronic Systems
- Millivolt Systems
- Hydronic Air Handlers

### **NOT COMPATIBLE WITH:**

- 3 Wire Hydronic Systems
- 120V/240V Systems
- Heat Pumps
- Compressors Without Time Delays (PSM400SA)

- **Horizontal Style**
- **Clean, Attractive Design**
- **Snap Action Mechanism**
- **Value Priced**
- **Adjustable Heat Anticipator**

**LUXPRO<sup>®</sup>****PSM200-PSM400****PSM200SA - HEATING ONLY****PSM400SA - HEATING AND COOLING****GENERAL DESCRIPTION:**

**5½" (140mm) wide x 3¾" (96mm) tall x 2" (52mm) deep**

**Description:** Snap Action mechanism, heating only (PSM200SA model, PSM400SA model is heating and cooling) thermostat with adjustable heat anticipator.

**SPECIFICATIONS:**

**Electrical Ratings:** 24 Vac (30 Vac maximum).

**Anticipator Rating:** 0.15A to 1.2A.

**Temperature Control Range:** 45°F to 90°F (7° to 32°). Accuracy: ±1°F over a range of 50°F to 95°F.

**Compatibilities:** 2-5 wire single stage systems, forced air systems, 2 wire hydronic systems, hydronic air handling systems. PSM400SA has G, Y, W, RH, RC, A terminals.

**Environmental Limits:**

Moisture and Dust: meets IP20.

Operating Humidity: 20% to 90% non-condensing.

Operating Temperature: +32°F to +95°F (+0°C to +35°C).

Storage Temperature: -4°F to +130°F (-20°C to +54°C).

Electrical Immunity: meets relevant CE specifications.

**Packaging:**

Packaged in clamshell - carton quantity = 10.

Carton Specifications: 15¾" long x 8¼" wide x 6¼" high. Carton weight = 5lbs.