

Specifications

EPA WaterSense Certified HET

Elongated two-piece toilet

Vitreous china

Quiet powerful gravity flush

1.28 GPF for single-flush (T/X-66891E)

1.6/1.0 GPF for dual-flush (T/X-66892E)

2-1/8" Fully glazed trapway

3" flush valve

12" rough-in

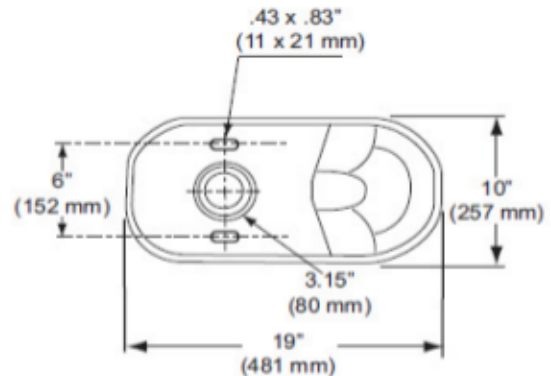
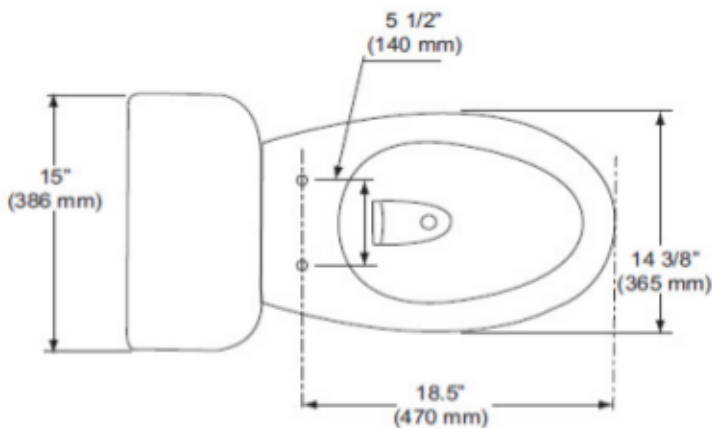
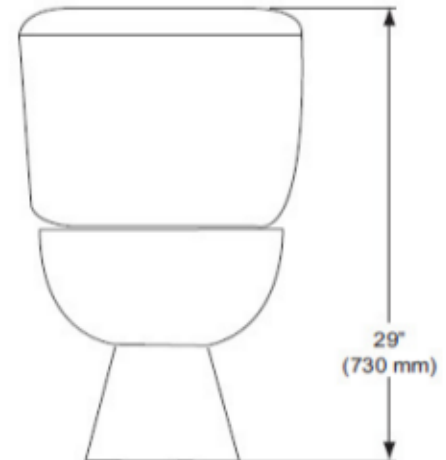
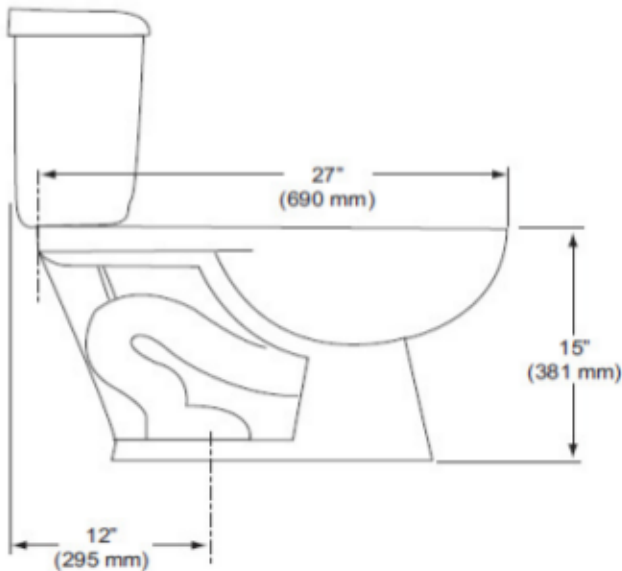
Side tank lever or top mounted flush button available

Meets strict flushing performance criterion established by the EPA (Environmental Protection Agency) WaterSense program

High efficiency Toilets save at least 20% of water than normal 1.6-gallon toilets



Dimensions



CQTC

MaP Test Report Number: U09060

Client: ORIGINAL PACIFIC SUPPLY CORP. Report Issued: Aug. 07, 2009
P.O. BOX 22-89, TAYA, TAICHUNG 428000, TAIWAN
Attn: Qian Fengjiu
Source of Sample: One sample provided and delivered by Tangshan Sanitary Ware Company of Tangshan Ceramic Stock
Test Date: June 22th, 2009 ~ Aug. 07th, 2009
Sample Description: 1-pc, gravity, vitreous china toilet, floor-mount, floor-outlet, single-flush Model Name/Number: T/X-66891E
Scope of Testing: Protocol outlined in "Maximum Performance (MaP) Testing" Version 14, June '09.

Physical Characteristics

Bowl: Elongated front, 18.31" (465mm)	Flush Type: gravity
Trap Size (ball pass): 1.97" (50mm)	Flapper Type: Single-flush
Flapper Chain: metal link	Flapper Size: 3"
Height of Overflow Tube: 0.67" (17mm)	Waterline: 7.28" (185mm)
Refill Restrictor: 0.12" (3mm)	Fill Valve: R & T, Pilot Valve

Flush Performance Results @ 50 psi static

Avg. Flush Volume (Full Flush)	4.8-L / 1.26-G
Avg. Flush Volume (Half Flush)	N/A
Water Exchange Rate (Minimum 94.1%)	N/A
Max. Flush Volume as per LA SPS	5.3-L/ 1.39-G
MaP Performance – solids removal (full-flush)	700 grams

Results

- MaP performance (min. required = 250g): **Pass**
- Meets UNAR/EcoEnergy (1.6-G/6-L, 350g minimum, LA SPS) requirements: **Pass**
- Meets UNAR-HET (350g minimum, LA SPS) requirements: **Pass**

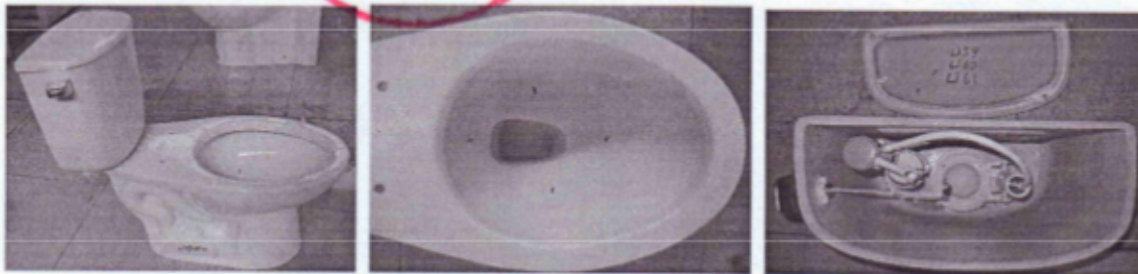
Comments: none

Please call me if there are any questions concerning the testing procedures or this report. The inspection results are only responsible for the tested sample.





Duan Xian Hu, Test Engineer Liu You Hong, Authorized Signing
Xianyang Supervision Testing Center of Architecture & Sanitary Ceramics. China



Certifications & Compliances

EPA WaterSense Certified

UPC & cUPC Certified

U.S. DOE Certified

ASME A112.19.2M

MaP Test Result: 700 Grams

