

## Specifications

EPA WaterSense Certified HET

Round-front two-piece toilet

Vitreous china

Quiet powerful gravity flush

1.28 GPF for single-flush (T/X-66891)

1.6/1.0 GPF for dual-flush (T/X-66892)

2-1/8" Fully glazed trapway

3" flush valve

12" rough-in

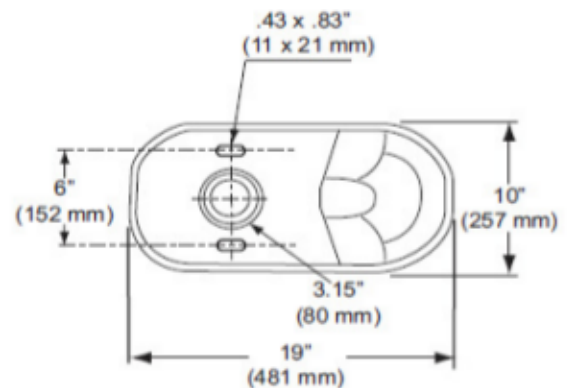
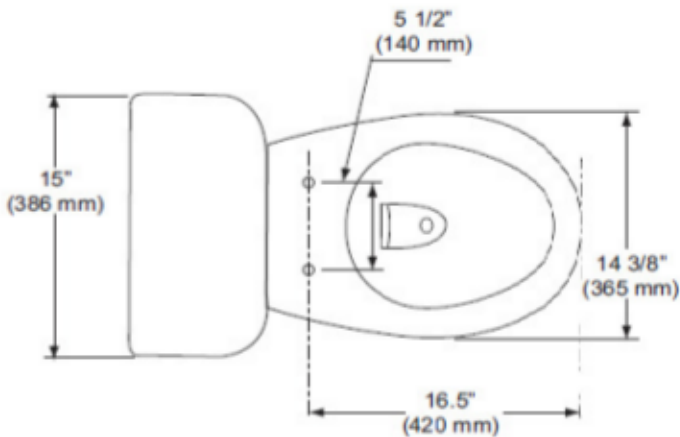
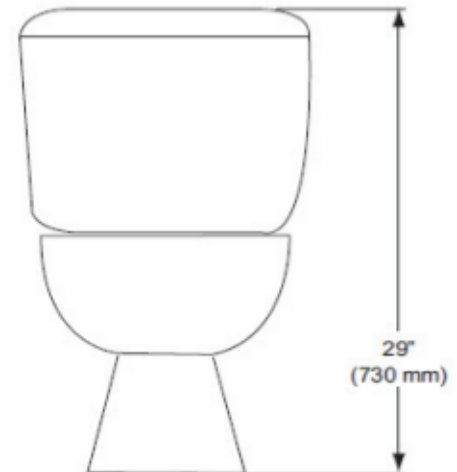
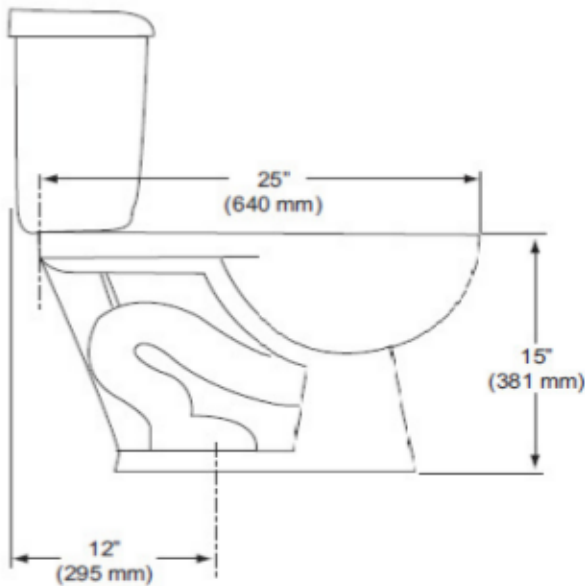
Side tank lever or top mounted flush button available

Meets strict flushing performance criterion established by the EPA (Environmental Protection Agency) WaterSense program

High efficiency Toilets save at least 20% of water than normal 1.6-gallon toilets



## Dimensions



CQTC

**MaP Test Report Number: U09059**

**Client:** ORIGINAL PACIFIC SUPPLY CORP. Report Issued: Aug. 07, 2009  
 P.O. BOX 22-89, TAYA, TAICHUNG 428000, TAIWAN  
**Attn:** Qian Fengjiu  
**Source of Sample:** One sample provided and delivered by Tangshan Sanitary Ware Company of Tangshan Ceramic Stock  
**Test Date:** June 22<sup>nd</sup>, 2009~Aug. 07<sup>th</sup>, 2009  
**Sample Description:** 1-pc, gravity, vitreous china toilet, floor-mount, floor-outlet, single-flush Model Name/Number: T/X-66891  
**Scope of Testing:** Protocol outlined in "Maximum Performance (MaP) Testing" Version 14, June '09.

**Physical Characteristics**

|                                       |                                |
|---------------------------------------|--------------------------------|
| Bowl: round front, 16.5" (419mm)      | Flush Type: gravity            |
| Trap Size (ball pass): 1.97" (50mm)   | Flapper Type: Single-flush     |
| Flapper Chain: metal link             | Flapper Size: 3"               |
| Height of Overflow Tube: 0.67" (17mm) | Waterline: 7.28" (185mm)       |
| Refill Restrictor: 0.12" (3mm)        | Fill Valve: R & T, Pilot Valve |

**Flush Performance Results @ 50 psi static**

|   |                |
|---|----------------|
| Avg. Flush Volume (Full Flush)                | 4.8-L / 1.26-G |
| Avg. Flush Volume (Half Flush)                | N/A            |
| Water Exchange Rate (Minimum 94.1%)           | N/A            |
| Max. Flush Volume as per LA SPS               | 5.3-L / 1.39-G |
| MaP Performance – solids removal (full-flush) | 600 grams      |

**Results**

- MaP performance (min. required = 250g): **Pass**
- Meets UNAR/EcoEnergy (1.6-G/6-L, 350g minimum, LA SPS) requirements: **Pass**
- Meets UNAR-HET (350g minimum, LA SPS) requirements: **Pass**

**Comments:** none

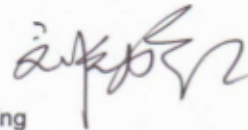
Please call me if there are any questions concerning the testing procedures or this report.  
 The inspection results are only responsible for the tested sample.



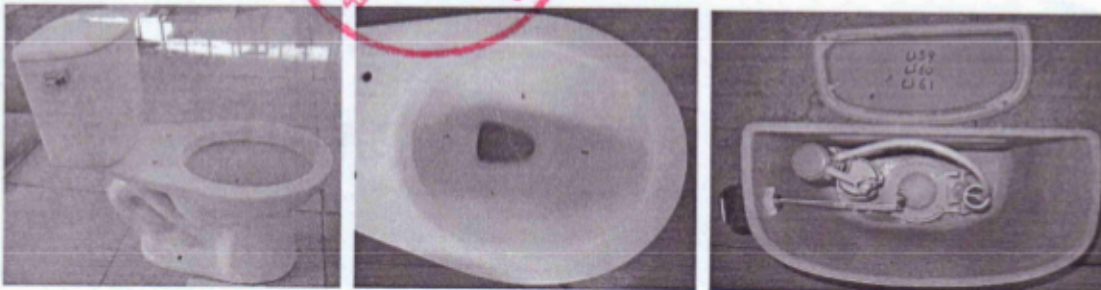
Duan Xian Hu, Test Engineer



Liu You Hong, Authorized Signing



Xianyang Supervision Testing Center of Architecture & Sanitary Ceramics. China



## Certifications & Compliances

EPA WaterSense Certified

UPC & cUPC Certified

U.S. DOE Certified

ASME A112.19.2M

MaP Test Result: 600 Grams

