

## PREMIER

# Hampton Collection

## Two Handle Bath Faucet

**202150** - Brushed Nickel

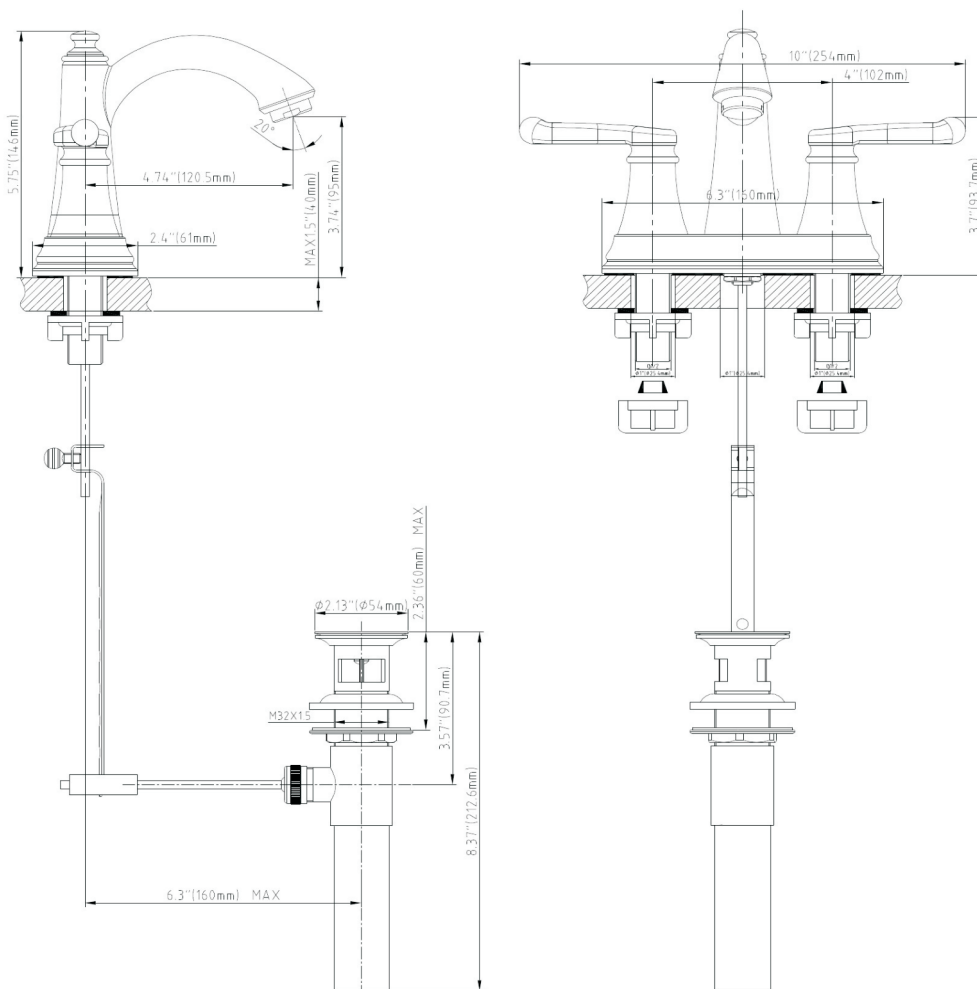
**202152** - Oil Rubbed Bronze

### FEATURES

- Solid Brass Waterway
- 4" Center Set, 3-Hole Installation
- Aerator limited to 1.5 GPM max (5.7 L/min)
- 1/4 Turn Washerless Ceramic Cartridge
- 100% Factory Pressure Tested



### DIAGRAM



### APPLICABLE STANDARDS/CODES

Specified model meets or exceeds the following:

- ASME A112.18.1
- CSA B125.1
- NSF61-9
- Listed IAPMO/cUPC