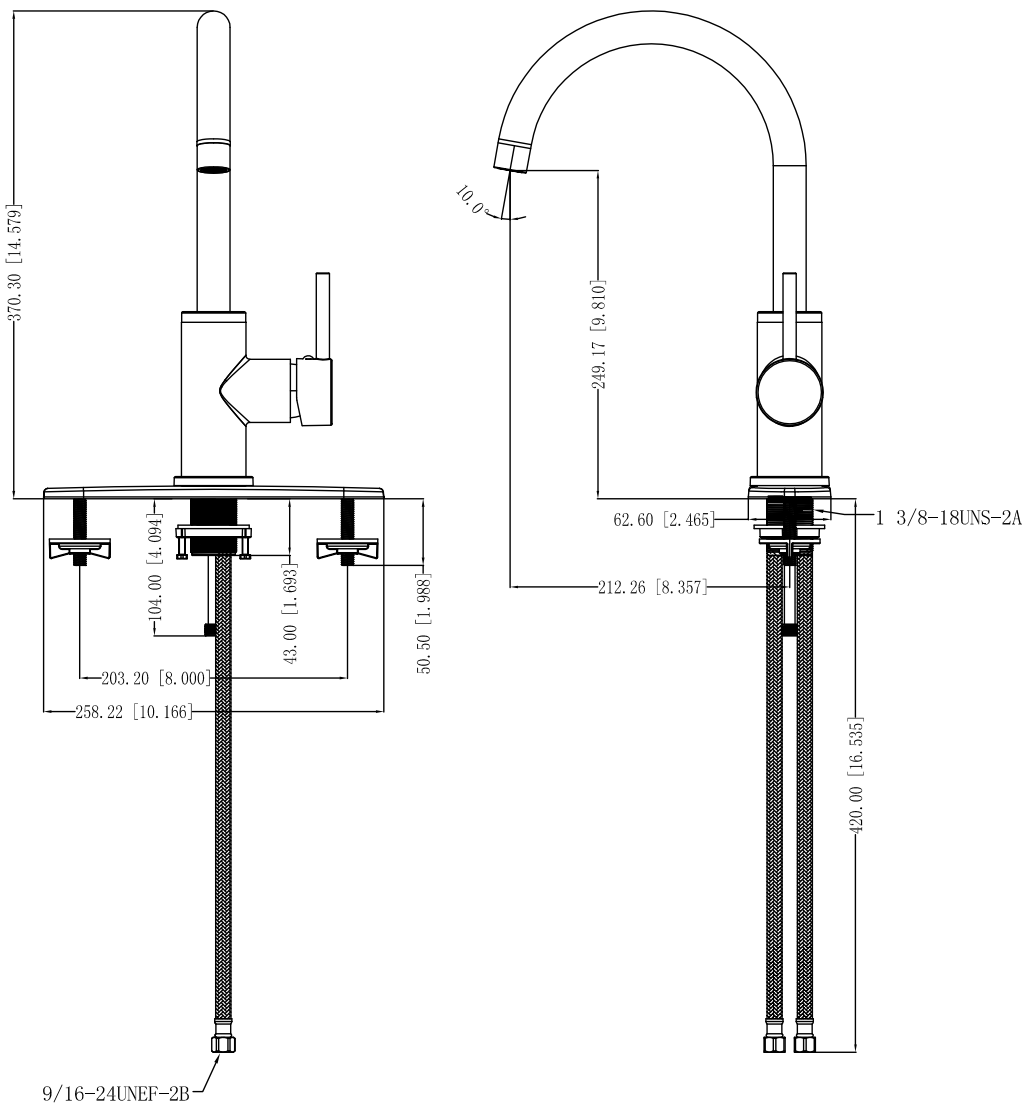


Features:

- Metal Lever Handle
- Ceramic Cartridge
- Max Flow Rate 2.2GPM(8.4LPM) at 60 PSI(ASME.A112.18.1M)



201392 with mounting plate
Brush Nickel



APPROVAL

Meets or Exceeds The

following

*ANSI/ASME A112.18.1M

*ANSI/NSF 61-Sec.9

*IAPMO/UPC

