



PREMIUM

Windsor Collection

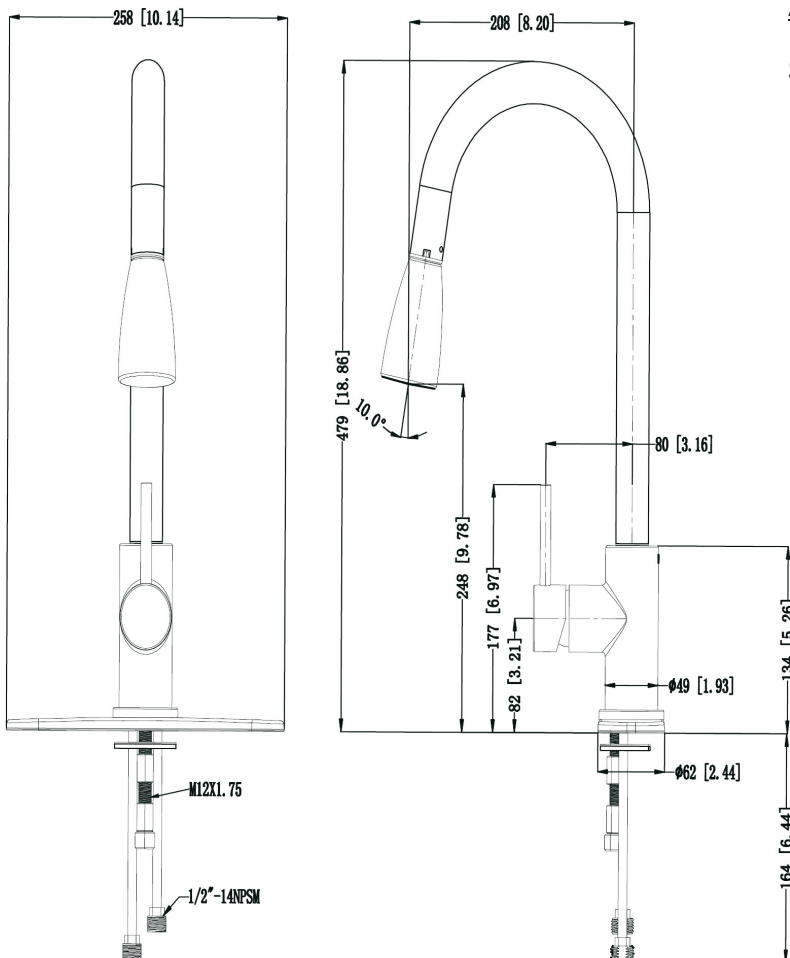
Single Handle Kitchen Faucet

201390 - Brushed Nickel

FEATURES

- Less than 0.25% Weighted Average Lead Content on Wetted Surfaces
- Metal Lever Handle
- Ceramic Cartridge
- Max Flow Rate: 2.2 GPM (8.4 L/min) at 60PSI

DIAGRAM



APPLICABLE STANDARDS/CODES

Specified model meets or exceeds the following:

- ANSI/ASME A112.18.1M
- ANSI/NSF 61-Sec.9
- AIPMO/UPC
- CAAB 1953